

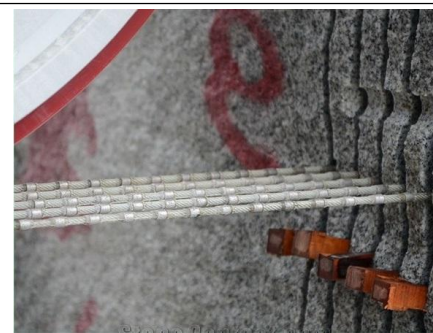
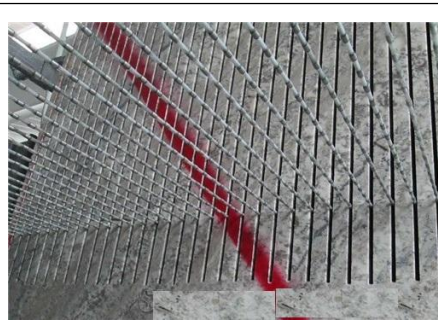
Xiamen Sino Star Machinery Co., Ltd

www.ChinaStoneSaw.com

E-mail: Sales@ChinaStoneSaw.com

C417,NO. 12,East Haijing Road,Haicang Dist,Xiamen,China

Multi-Wire Saw Block Cutting Machine



Max Cutting Size(L*W*H)	MM	3200*2000*20/30
Wire Saw Quantity	Pcs	21
Diameter of diamond beams	Mm	7.2
Length of wire saw	Mm	23000
Max. diamond wire tension	KG	250
Wire Saw Cutting Speed	M/s	0-35
Power of main motor	Kw	160
Water consumption	L/min	100
Machine Dimension(L*H)	MM	11000*5900
Machine weight	Ton	58

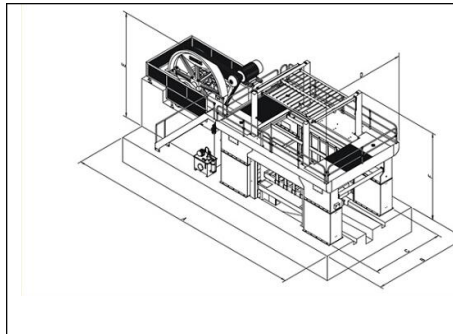
Xiamen Sino Star Machinery Co., Ltd

www.ChinaStoneSaw.com

E-mail: Sales@ChinaStoneSaw.com

C417,NO. 12,East Haijing Road,Haicang Dist,Xiamen,China

Gang Saw Machine For Marble Cutting



Number of Blades	Pc	90-100
Power of main motor	KW	110
Power of lifting motor	KW	7.5
Power of cutting motor	KW	1.1
Max Cutting Size	Mm	3200*3000*2050mm
Cutting speed	Cm per hour	5-40
Blade travel	Mm	800
Tile Rods	Mm	17
Slab thickness	Mm	>15
Blade size (L*W)	Mm	4400*180
Water consumption of each blade	L/min	10
Machine dimension (L*W*H)	MM	12650*4492*5483
Machine weight	Ton	58

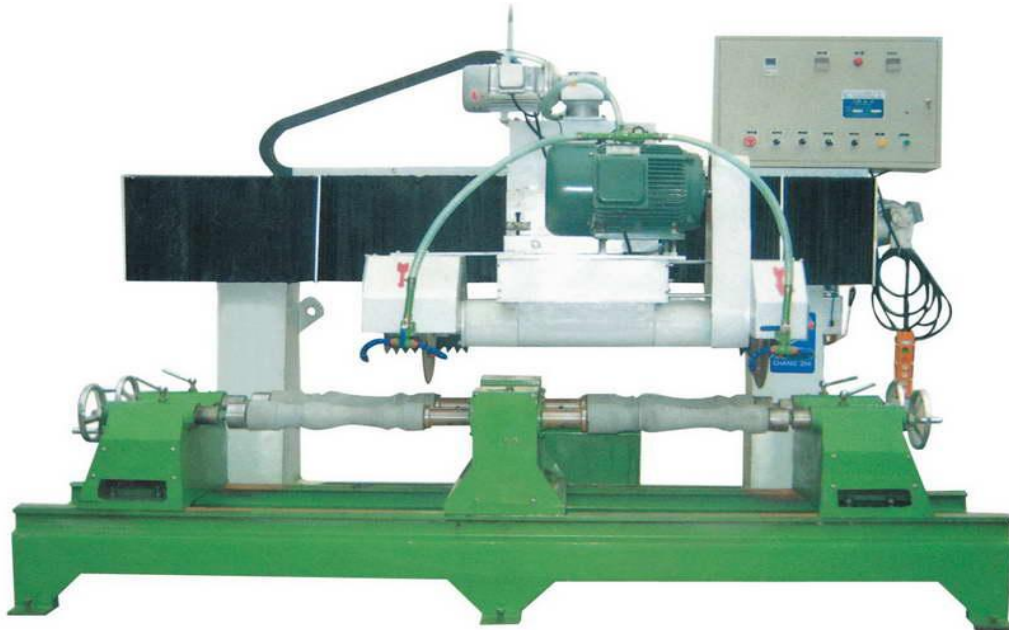
Xiamen Sino Star Machinery Co., Ltd

www.ChinaStoneSaw.com

E-mail: Sales@ChinaStoneSaw.com

C417,NO. 12,East Haijing Road,Haicang Dist,Xiamen,China

Two heads Column profiling machine



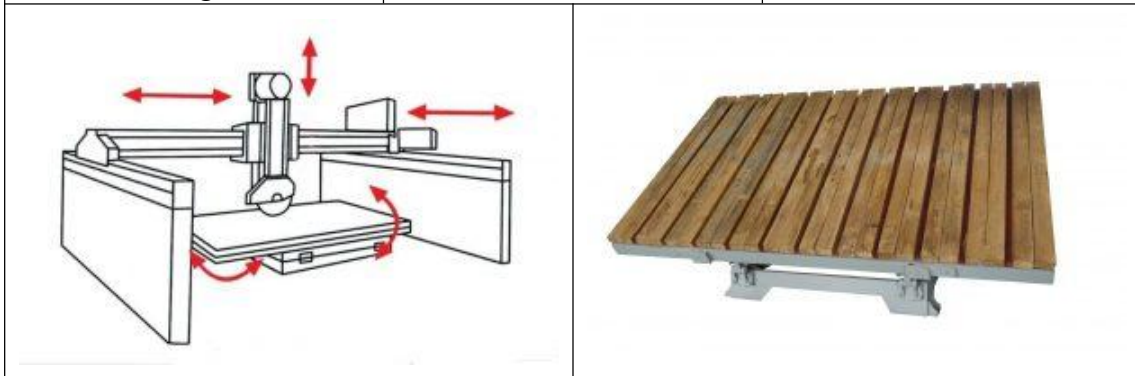
Power of maindrive	11kw
Max.Cutting Length	1000mm
Dimension	3500x1500x 2000mm
Max. Diameter of the pillar	Φ340mm
Diameter of the blade	300mm, 350mm, 600mm
Weight	2800kgs
Water consumption	3m3/h
Style	Stepless speed adjusting

Xiamen Sino Star Machinery Co., Ltd
www.ChinaStoneSaw.com E-mail: Sales@ChinaStoneSaw.com
 C417,NO. 12,East Haijing Road,Haicang Dist,Xiamen,China

MCQJ-A400 Bridge Cutting Machine



Item Name	Unit	Value
Blade Diameter	mm	400
Main Motor	KW	15
Size of Table(L*W)	mm	3200*2000
Table Rotation	n°	90
Table Moveup	n°	85
Max Cutting Size(L*W*H)	mm	3200*2000*100
Cutting Speed	m ² /h	15
Machine overall	mm	6000*5000*2800
Weight	T	5.6



Xiamen Sino Star Machinery Co., Ltd

www.ChinaStoneSaw.com

E-mail: Sales@ChinaStoneSaw.com

C417,NO. 12,East Haijing Road,Haicang Dist,Xiamen,China

MCFT-350 Bridge Saw Machin



Blade Diameter	350-400mm
Blade up and down	350mm
Max travel of direct/cross cutting	3100*2050mm
Dimension of table	L*W=2950*1950mm
Total power	23.3KW
Machine dimension	L*W*H=6200*3300*2500mm
Total Weight	5.5ton



Blade tilting 45 degree



Profiling Function



Blade 90 degree rotation

Xiamen Sino Star Machinery Co., Ltd

www.ChinaStoneSaw.com

E-mail: Sales@ChinaStoneSaw.com

C417,NO. 12,East Haijing Road,Haicang Dist,Xiamen,China

FXQ-600 Stone Profiling Machine



name	unit	parameter
Diameter of Blade	mm	350-600
Size of Worktable	mm	2500*1200
Size of the Machine	mm	4500*2200*2400
Max Cutting Size	mm	2500*1200*800
Power Of Main Motor	KW	11-15
Total Power	KW	14.8

Xiamen Sino Star Machinery Co., Ltd

www.ChinaStoneSaw.com

E-mail: Sales@ChinaStoneSaw.com

C417,NO. 12,East Haijing Road,Haicang Dist,Xiamen,China

Thin Slab Cutting Machine



Name	Unit	Value
Max Cutting width	mm	1250
Travel Height	mm	80
Power of main motor	KW	7.5
Cutting Speed	m ² /h	3-5
Total Power	kw	8.5
Max. cutting thickness	mm	160
Blade Thickness	mm	2
Water consumption	m ³ /h	2
Dimensions(L×W×H)	mm	4200*3100*2200
Weight	kg	2200

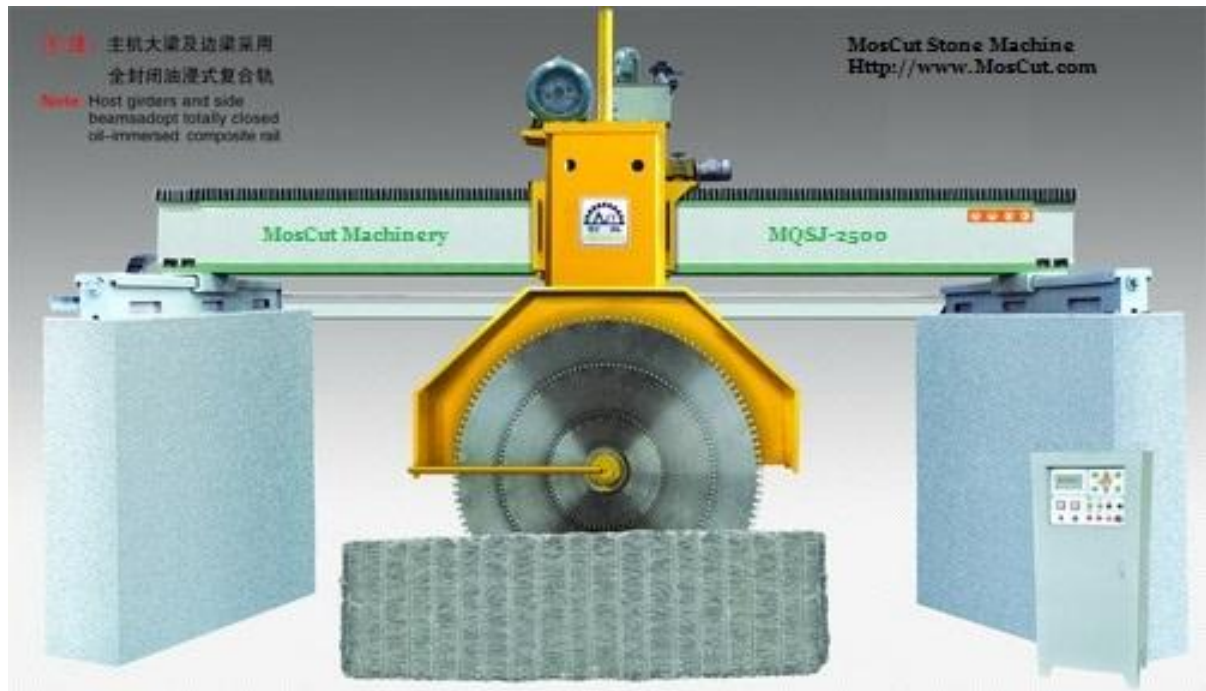
Xiamen Sino Star Machinery Co., Ltd

www.ChinaStoneSaw.com

E-mail: Sales@ChinaStoneSaw.com

C417,NO. 12,East Haijing Road,Haicang Dist,Xiamen,China

MQSJ-2500 Block Cutting Machine



Item Name	Unit	Value
Blade Diameter	mm	2500
Max Up and down	mm	1100
Max Cutting Length	mm	3200
Max Cutting Width	mm	2200
Slicing	Mm	2300
Length of bridge	Mm	7500
Main Motor	KW	45
Machine overall	mm	7500*4000*4200
Weight	T	11
Machine Working Video	https://youtu.be/hZbV3XbIDvw	
	https://youtu.be/AAmAJtSfDpo	

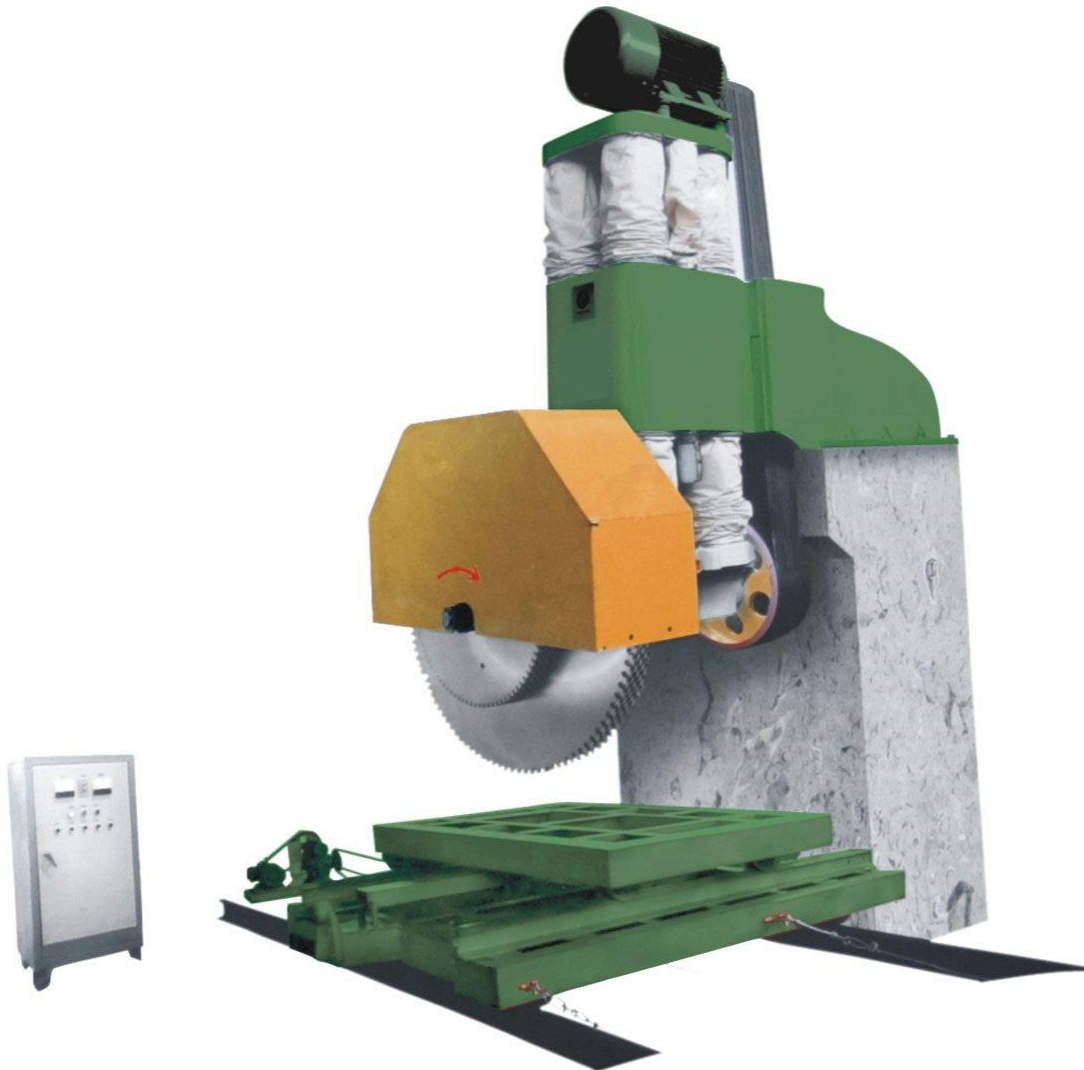
Xiamen Sino Star Machinery Co., Ltd

www.ChinaStoneSaw.com

E-mail: Sales@ChinaStoneSaw.com

C417,NO. 12,East Haijing Road,Haicang Dist,Xiamen,China

MCDB10-2200 Single-Beam Cutting Machine



It is A Convenient And Practical Stone Processing Machine With The Reasonable Construction,Easy Operation,Stable Quality And Long Lifting Range,Low Cost

Item	unit	MCDB10-2200
Blade Diameter	mm	2200
Blade Quantity	n	10
Max Cutting Size	mm	4300*1300*950
Power Of Main Motor	KW	45
Total Power	KW	48.3
Water consumption	m3/h	15
Machine weight	T	7.5

Xiamen Sino Star Machinery Co., Ltd

www.ChinaStoneSaw.com

E-mail: Sales@ChinaStoneSaw.com

C417,NO. 12,East Haijing Road,Haicang Dist,Xiamen,China

MCLM 1600/2200 Gantry Block Cutting Machine



Item Name	Unit	Value
Blade Diameter	mm	1600-2200
Max Cutting Length	Mm	3500
Max Cutting Deep	mm	900
Max Up and Down	Mm	1400
Max Left and Right	Mm	3000
Table Travel	mm	2600
Water Consumption	M ³ /h	80
Total power	Kw	40.7
Dimension	mm	5600*5500*4600
Weight	T	9

Xiamen Sino Star Machinery Co., Ltd

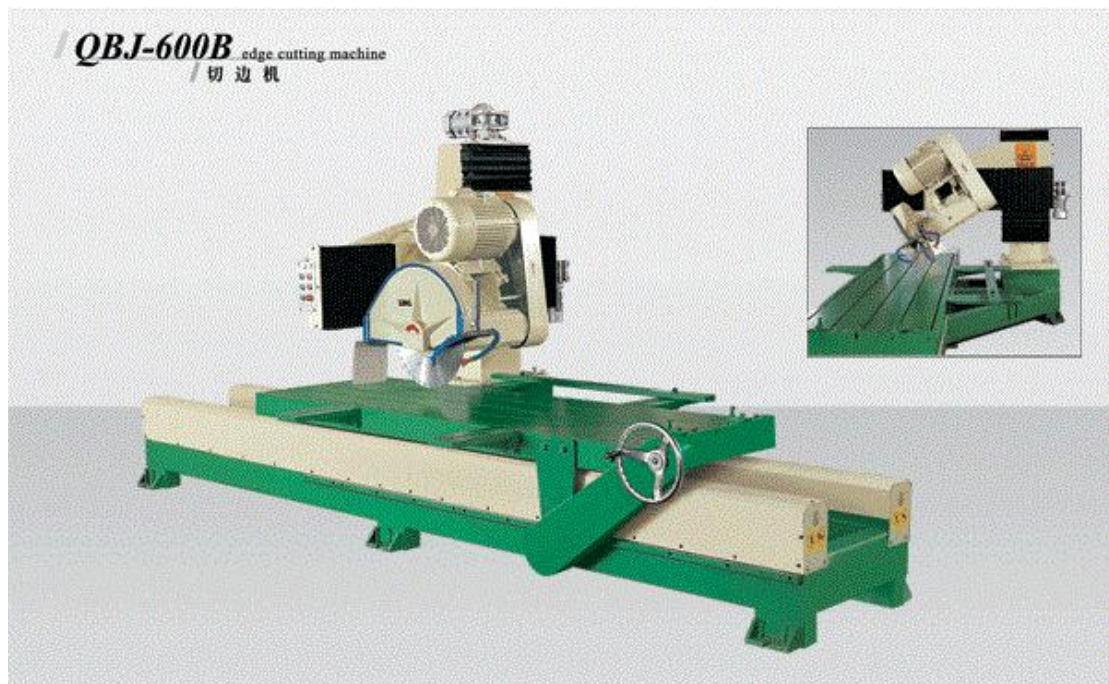
www.ChinaStoneSaw.com

E-mail: Sales@ChinaStoneSaw.com

C417,NO. 12,East Haijing Road,Haicang Dist,Xiamen,China

W-QBJ-600 Stone Manual Edge-cutting Machine

Name	Unit	Parameter
Max diameter of blade	mm	600
Length of platform	mm	2400
Max width of stone procession	mm	1200
Max thickness of stone procession	mm	130
Power of main motor	kw	11-15
Size of the machine	mm	4500*2200*2000
Weight of the machine	T	2.6



Xiamen Sino Star Machinery Co., Ltd

www.ChinaStoneSaw.com

E-mail: Sales@ChinaStoneSaw.com

C417,NO. 12,East Haijing Road,Haicang Dist,Xiamen,China

Counter Top Hole Cutting Machine:



Rotation Speed of blade motor	6400 r/min
Running speed of main motor	0.7-1.4 r/min
Blade turning	25°
Distance between blade and stone	0-340 mm
Dimension Of Saw Blade	Φ 105- Φ 125 mm
Power of main motor	2.02 KW
Inner size of saw blade	Φ 20 mm
Inner Diameter Of Model	Φ 100 mm
Max Hole Diameter (Round Model)	≤580 mm
Max Diameter (Ellipse Model)	a、 b≤290 mm
Dimension Of Working Table	1200×780 mm
Overall Dimension	1230×1200×1830 mm
Machine Working Video	https://youtu.be/7_AlrBqButo

Xiamen Sino Star Machinery Co., Ltd
www.ChinaStoneSaw.com E-mail: Sales@ChinaStoneSaw.com
 C417,NO. 12,East Haijing Road,Haicang Dist,Xiamen,China

Block Turnover Machine



Model	S-35	S-45	Unit
Max turning weight	35000	45000	kg
Max Length of block	3000	3500	mm
Max Width of block	2000	2300	mm
Max Height of block	2000	2000	mm
Turning angle	0~90	0~90	n°
Main motor	4.5	7.5	kw
Total weight	4500	5500	kg